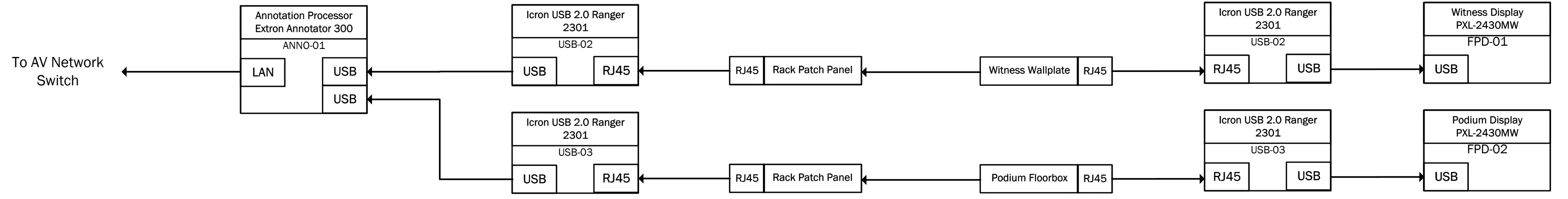
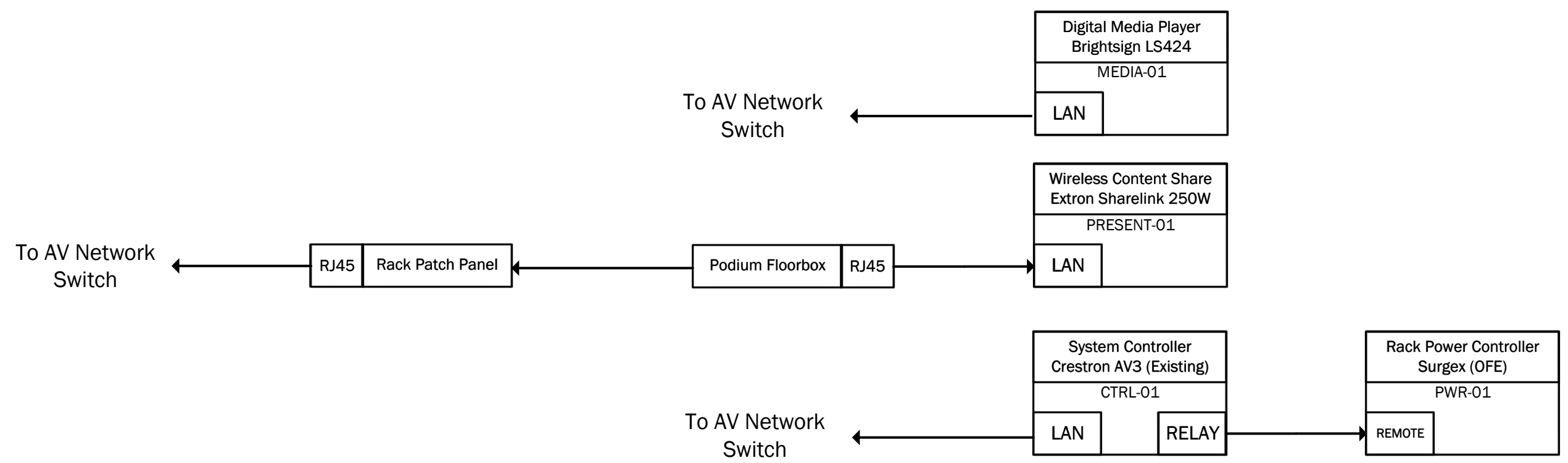
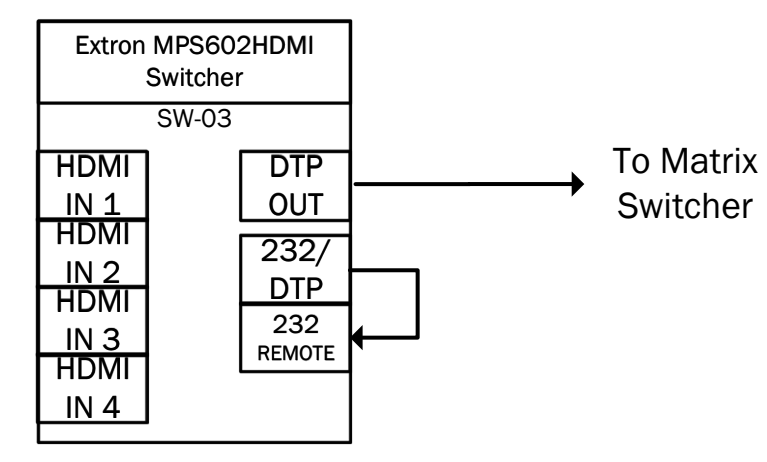


AV Network Switch		
Netgear GS324P-100NAS		
NET-01		
TP-01	1	13
TP-02	2	14
CTRL-01	3	15
DSP-01	4	16
DSP-02	5	13
SW-01	6	14
DA-01	7	15
ANNO-01	8	16
PRES-01	9	13
MEDIA-01	10	14
SW-02	11	15
SW-03	12	16



Audio Video System Upgrades For:
 United States District Court
 Western District of Louisiana

 515 Murray Street, Suite 105
 Alexandria, Louisiana 71301
 (318) 473-7415

REV.	DESCRIPTION	DATE	BY

Issue Date: 1/25/22 Drawn By: MER Checked By:

Sheet Title:
**Second Floor Courtroom
 Control One Line**

Sheet #: AV-1.2

